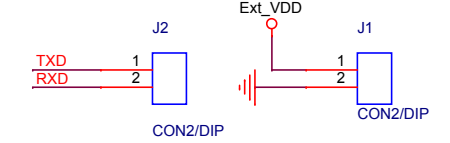
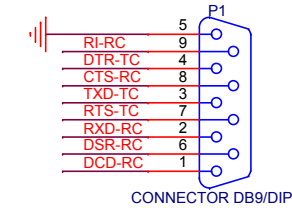
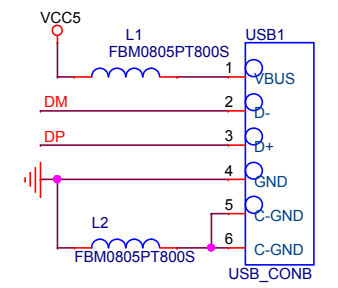
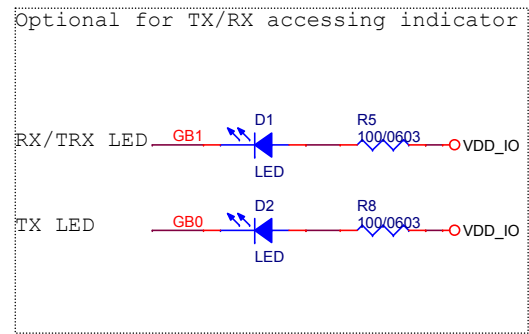
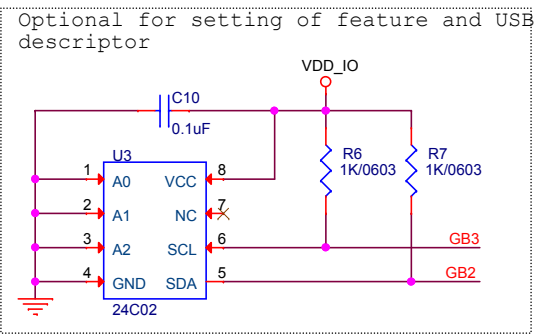


Note:  
 1. The power supply range of SP3243 is +3.0V to +5.5V  
 2. SP3243(U1) and DB9(P1), J1, J2 connectors are optional and depended on your hardware application.



Note:  
 1. R4 and C8 are reserved for abnormal case



Title		
Prolific Technology Inc		
Size	Document Number	Rev
Custom	PL2303GC/QFN24 reference schematics	1.4
Date:	Monday, December 17, 2018	Sheet 1 of 1