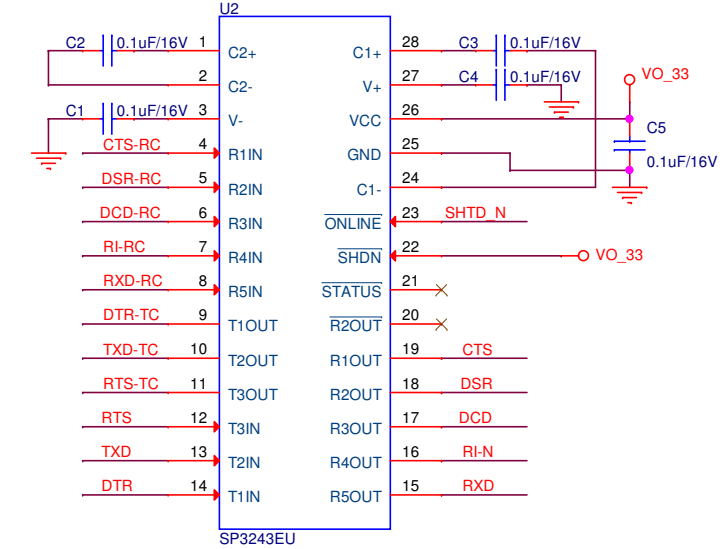
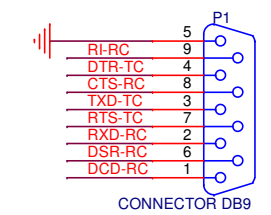
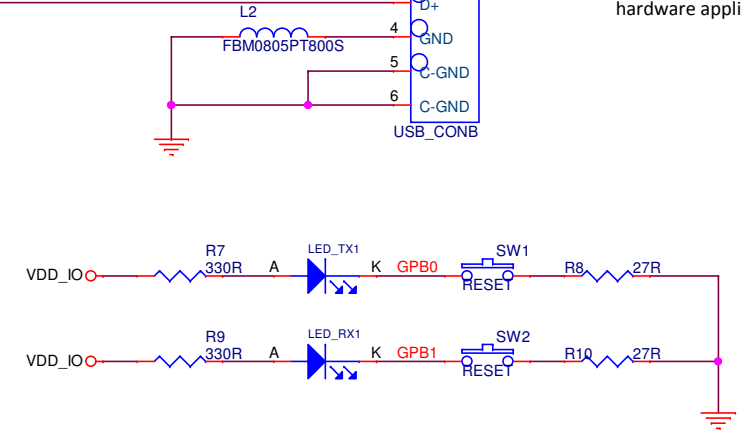
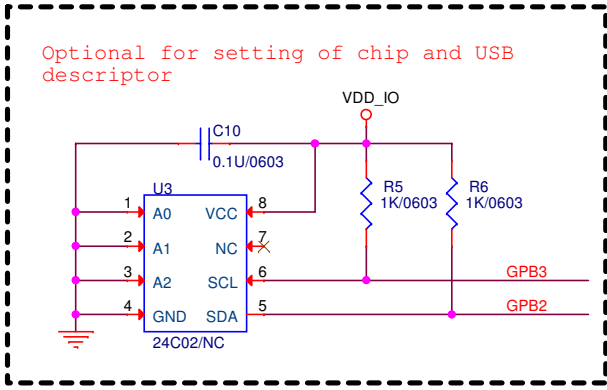


Application for RS-232 Transceiver



Note:
 1. The power supply range of SP3243 is +3.0V to +5.5V
 2. SP3243(U2) and DB9(P1) connectors are optional and depended on your hardware application.



	Drawing Name		Designer		Size
	PL2303GC_SSOP28		name		Custom
Version	1.2	Date	12/28/2018	Sheet	1 of 1